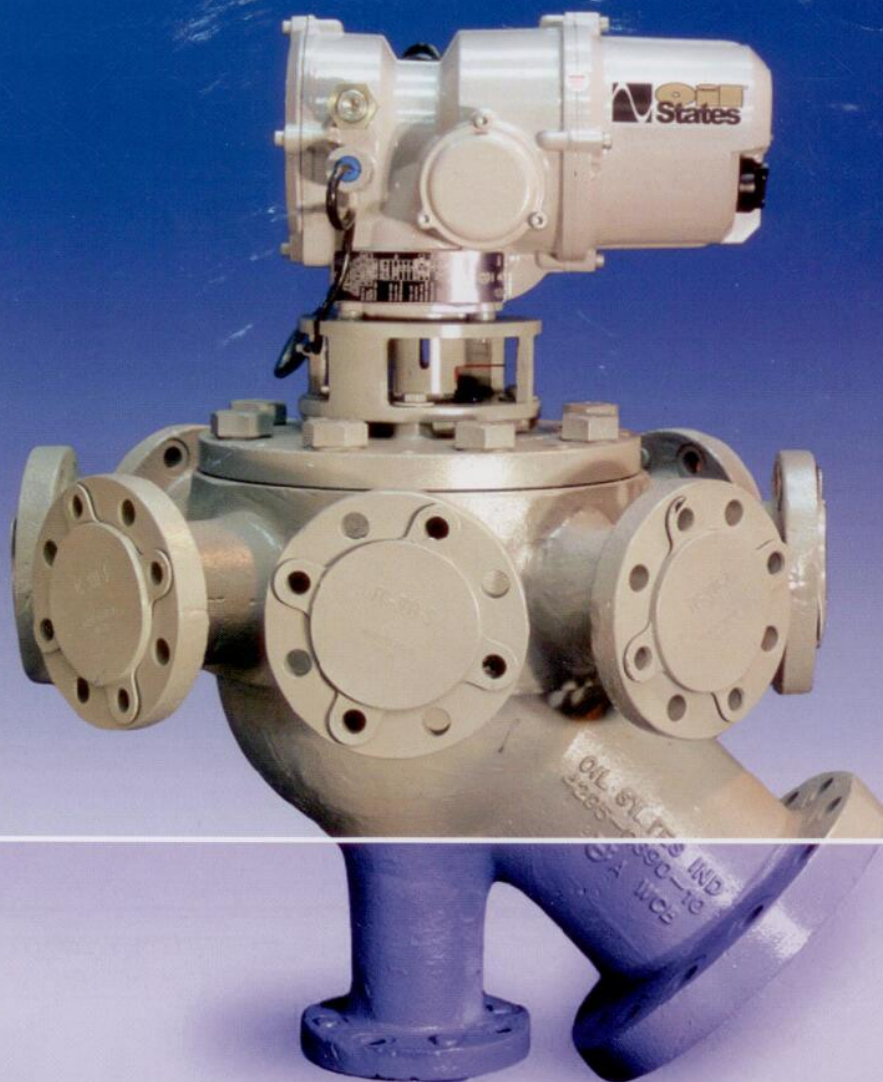
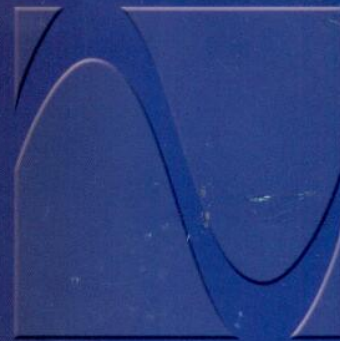


Flow Control Systems
ROTARY SELECTOR VALVE and ACTUATOR



OIL STATES INDUSTRIES, INC.

Representante



servicios para la industria del gas y del petróleo

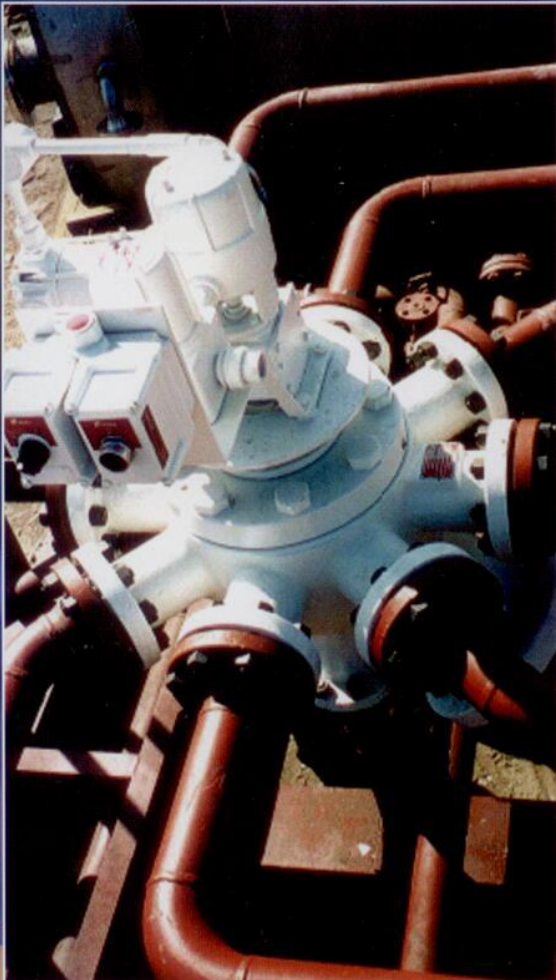
Tel.: +54 11 4780 0141

www.latintub.com.ar

Rotary Selector Valve and Actuator

The Oil States Rotary Selector Valve with Actuator (RSV) offers proven performance where highly efficient fluid control systems and two-way diagnostic communications are needed. A compact design, fewer moving parts and simple installation ensure that the RSV will provide long, trouble-free operation. Internal Teflon® bearings provide smooth operation with reduced maintenance requirements. The larger 3" and 4" models utilize taper roller bearings. A self-cleaning design reduces scale, paraffin and product build up. Fewer sealing surfaces reduce the risk of leakage.

The RSV will manifold up to eight flowlines via eight inlet ports with your choice of pipe thread or ANSI Class 150, 300, 600, 900, or 1,500 RF flanged connections. Valves are standard H2S Service certified with optional electroless nickel and Teflon® coating for chemical and offshore service. Automation can be added at anytime.



Compact design.
Simple installation.
Low maintenance.

The Actuator is built to tough standards with a marine-grade LM20 cast aluminum housing, clear-view indicator and easy-to-read on-board switches. The internal architecture has been simplified to reduce maintenance costs. Piezo-resistive sensors supply precise torque measurements, while positional accuracy is maintained to 0.5 degrees.



*Laptop via MODBUS line
Laptop Via IR
PDA hand held device
IR Tool*



Manual or remote operation



Easy installation



Windows®-based interface

Industry Applications

- Oil and Gas - Onshore and Offshore
- Water and Wastewater Treatment Plants
- LNG Operations
- Test Separators
- Refining
- Power
- Chemical
- Pulp and Paper



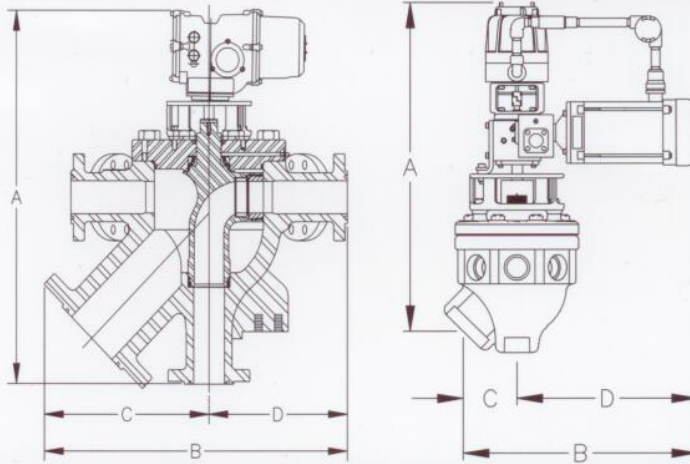
Rotary Selector Valve



Self-contained skid units with oil-water separators

- H2S Service-Parts designed for hydrogen sulfide corrosion resistance
- ELNI Lined-Includes H2S specifications with an additional electroless nickel and Teflon® coating for enhanced corrosion resistance
- Designs for ANSI Class 150, 300, 600, 900 and 1,500
- Flanged or NPT models available

Specifications



Rotary Selector Valve & Actuator Envelope

Inlet Size	A	B	C	D
2" NPT	34.62"	22.56"	6.81"	15.75"
3" NPT	37.81"	25.06"	9.31"	15.75"
3" Flanged	42.80"	32.90"	16.80"	16.10"
4" Flanged	50.16"	36.90"	20.50"	16.40"
6" Flanged	63"	56"	32"	24"

Rotary Selector Valve Specifications

Model	2 inch NPT/ ANSI Class 300	2 inch NPT/ ANSI Class 600	2/3 inch NPT/ ANSI Class 300	2/3 inch NPT/ ANSI Class 600	3 inch Flanged ANSI Class 150/300/600/900	3 inch Flanged ANSI Class 1500	4 inch Flanged ANSI Class 300/600/900	6 inch Flanged Class 600/900
Item	04295-08XX	04295-12XX	04295-03XX	04295-03XX	04295-03XX	04295-03XX	04295-04XX	04295-06XX
Inlet Size	2 inch	2 inch	2 inch/3 inch	2 inch/3 inch	3 inch	3 inch	4 inch	6 inch
Working Pressure (psi)	1000	1480	1000	1480	1110/1480/2225	3333	1110/1480/ 2225	1480/2225
Max Port Seal Differential Press. (psi)	1000	1000	800	800	1000	1000	1000	1000
Standard Maximum Temp (°F)	225	225	225	225	225	225	225	225
Hi-Temp Maximum Temp (°F)	400	500	400	500	400/500	500	500	500
Flow	Test Outlet Cv (gpm)	290	290	725	725	725	1160	2403
	Group Outlet Cv (gpm)	423	423	1058	1058	1058	1560	3167/4949
Valve Head Material	ASTM A-181 Grade 60	ASTM A-350 LFS	ASTM A-181 Grade 60	ASTM A-516 Grade 70	ASTM A-516 Grade 70	SAE 4130 Grade 75	ASTM A-516 Grade 70	** ASTM A-487 Grade 4A
Valve Body Material	ASTM A-395	ASTM A-216 WCC	ASTM A-216 WCB	ASTM A-216 WCB	ASTM A-216 WCB	ASTM A-487 Grade 4	ASTM A-216 WCB	** ASTM A-487 Grade 4A
Bolting	ASTM A193-B7M	ASTM A193-B7M	ASTM A193-B7M	ASTM A193-B7M	ASTM A193-B7M	ASTM A193-B7M	ASTM A193-B7M	** ASTM A193-B7M
Number of Inlets	8	8	10/8	10/8	8	8	8	8
Test Outlet Size	2 inch	2 inch	2 inch/ 3 inch	2 inch/3 inch	3 inch	3 inch	4 inch	6 inch
Group Outlet Size	4 inch	4 inch	6 inch	6 inch	6 inch	6 inch	8 inch	12 inch/ 16 inch
Weight	145 lbs	154 lbs	200 lbs	200 lbs	850/950 lbs	1150 lbs	1875 lbs	4750 lbs

* Optional welded flanged on NPT * Optional Electro Nickel Teflon Coating (All) * Optional Stainless Steel Trim (All) ** Material per OSI Spec SV18-00-007